

DRAWER MANAGEMENT SYSTEM

DMS

Individual Drawer Programming
allows you to customize your inventory organization.

Audit Capability
4,000 actions recorded



Rapid Use Penalty
impedes armed robbery. Rapid opening of multiple drawers triggers PawnSystem to shut down.



Time Delay forces an intermission of designated time between code entry and drawer access.



Coming Soon!



Online Remote Management
you access anytime and anywhere



UL listed TL-30 safe.
Multiple protective layers of steel and high density composite material



2 Hour Fire Rating



Bolts
1.5" diameter



Time Lock shuts system down outside of business hours.



Capacity - Steel drawers hold up to 25 lbs each.

Benefits Key



Management



Armed Robbery



Burglary



Users - Program up to 20 users.

Individual Drawer Programming

Customize your inventory organization with safe Individual Drawer Programming. This gives the ability to program different permission levels and time delays for each individual drawer.

Specifications

The Rolland Drawer Management System incorporates a six-sided composite construction with a steel and ceramic matrix on all six sides of the safe. This unified construction achieves the highest degree of burglary protection in its class.

Drawer Control

Drawers are controlled by time, date, and person with audit capabilities that tell you who has accessed a drawer and when.

Capacity

Large capacity steel drawers hold up to 25 lbs per drawer.

Bolt Work

The massive 1.5" chrome plated bolts are secured with dual Underwriters Laboratories Group 2M combination locks.

Users

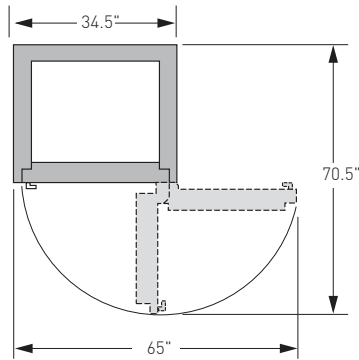
The programmable time-delay system allows electronically controlled access for up to 20 users.

Fire Protection

The safe has been factory tested and has achieved a 2-hour fire rating.



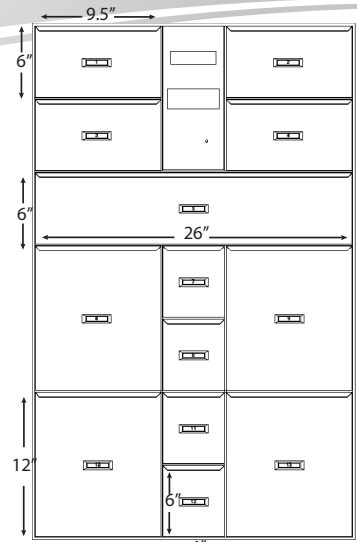
Advanced Locking Mechanism



Door Swing Projections



Drawer Interior Dimensions:



All drawers are 24.5" deep

Exterior Dimensions

57.5" H x 34.5 W x 36.5 D

Weight

4200 lbs

Auditing

Records 4,000 actions on an advanced digital display. Manager codes allows up to 5 management users to access via 6 digit PIN numbers. 20 users have ability to open and close drawers through private PIN numbers.

Rapid Use Penalty

The Rapid Use Penalty (RUP) temporarily disables the safe when drawers are opened in rapid succession, as they would be during an armed robbery.

Time Lock

Time Lock is programmed around your hours of operation. This ensures that a closed store means a locked safe. The safe cannot be accessed outside of business hours.

Online Management - Coming Soon

The ability to manage your safe remotely from any location through internet access (IP Connectivity).

Dallas

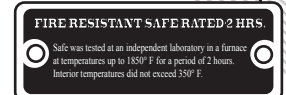
3140 Towerwood Drive
Dallas, Texas 75234
Tel. 972.243.3711
Toll. 800.225.2984

www.rslc.net

New Orleans

1926 Airline Drive
Metairie, LA 70001
Tel. 504.835.7233
Toll. 800.873.8898

www.rollandnola.net



DRAWER MANAGEMENT SYSTEM

DMS 32

Individual Drawer Programming
allows you to customize your inventory organization.

Audit Capability
4,000 actions recorded



Rapid Use Penalty
impedes armed robbery. Rapid opening of multiple drawers triggers PawnSystem to shut down.



Time Delay forces an intermission of designated time between code entry and drawer access.



Coming Soon!



Online Remote Management
you access anytime and anywhere



UL listed TL-30 safe.
Multiple protective layers of steel and high density composite material



2 Hour Fire Rating



Bolts
1.5" diameter



Time Lock shuts system down outside of business hours.



Capacity - Steel drawers hold up to 25 lbs each.

Benefits Key



Management



Armed Robbery



Burglary



Users - Program up to 20 users.

Individual Drawer Programming

Customize your inventory organization with safe Individual Drawer Programming. This gives the ability to program different permission levels and time delays for each individual drawer.

Specifications

The Rolland Drawer Management System incorporates a six-sided composite construction with a steel and ceramic matrix on all six sides of the safe. This unified construction achieves the highest degree of burglary protection in its class.

Drawer Control

Drawers are controlled by time, date, and person with audit capabilities that tell you who has accessed a drawer and when.

Capacity

Large capacity steel drawers hold up to 25 lbs per drawer.

Bolt Work

The massive 1.5" chrome plated bolts are secured with dual Underwriters Laboratories Group 2M combination locks.

Users

The programmable time-delay system allows electronically controlled access for up to 20 users.

Fire Protection

The safe has been factory tested and has achieved a 2-hour fire rating.



Auditing

Records 4,000 actions on an advanced digital display. Manager codes allows up to 5 management users to access via 6 digit PIN numbers. 20 users have ability to open and close drawers through private PIN numbers.

Rapid Use Penalty

The Rapid Use Penalty (RUP) temporarily disables the safe when drawers are opened in rapid succession, as they would be during an armed robbery.

Time Lock

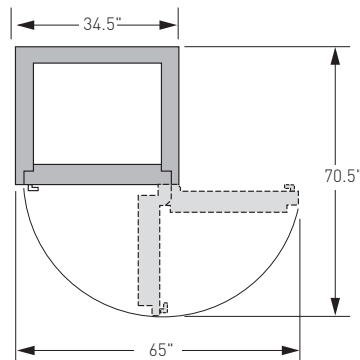
Time Lock is programmed around your hours of operation. This ensures that a closed store means a locked safe. The safe cannot be accessed outside of business hours.

Online Management - Coming Soon

The ability to manage your safe remotely from any location through internet access (IP Connectivity).



Advanced Locking Mechanism



Door Swing Projections

PawnSystem Specifications

Exterior H x W x D (in)	57.5 x 34.5 x 36.5
Weight (lbs)	4,200
Drawers (qty)	32
Drawer H x W x D (in)	31 drawers: 6 x 4 x 24 1 drawer: 6 x 8 x 24
Drawer Capacity	60 envelopes
Safe Capacity	2,000 envelopes max
Electronic Access	20 users

Add 2" to exterior depth for hinge projection. Add 2" to exterior depth for removeable handle projection

Dallas

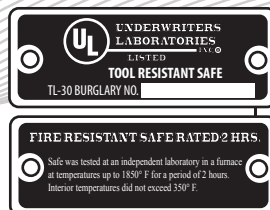
3140 Towerwood Drive
Dallas, Texas 75234
Tel. 972.243.3711
Toll. 800.225.2984

www.rslc.net

New Orleans

1926 Airline Drive
Metairie, LA 70001
Tel. 504.835.7233
Toll. 800.873.8898

www.rollandnola.net



All specifications are approximate and subject to change without notice.

TPSB# B13643

©2015 Rolland Safe Company. All Rights Reserved